

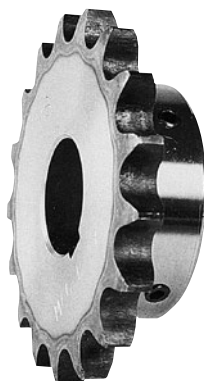
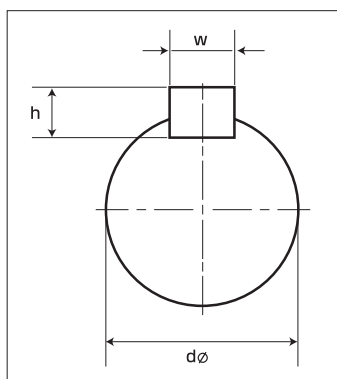
軸穴加工付スプロケット 加工寸法表

■新JISキー溝寸度表と セットスクリュー

| 軸穴径 | キー溝 | タップ |
|-----|-------|------|
| 10 | 3×1.4 | 2-M4 |
| 12 | 4×1.8 | 2-M5 |
| 14 | 5×2.3 | 2-M6 |
| 15 | 5×2.3 | 2-M6 |
| 16 | 5×2.3 | 2-M6 |
| 17 | 5×2.3 | 2-M6 |
| 18 | 6×2.8 | 2-M6 |
| 19 | 6×2.8 | 2-M6 |
| 20 | 6×2.8 | 2-M6 |
| 22 | 6×2.8 | 2-M6 |
| 24 | 8×3.3 | 2-M8 |
| 25 | 8×3.3 | 2-M8 |

| 軸穴径 | キー溝 | タップ |
|-----|--------|-------|
| 28 | 8×3.3 | 2-M8 |
| 30 | 8×3.3 | 2-M8 |
| 32 | 10×3.3 | 2-M8 |
| 35 | 10×3.3 | 2-M8 |
| 38 | 10×3.3 | 2-M8 |
| 40 | 12×3.3 | 2-M8 |
| 42 | 12×3.3 | 2-M8 |
| 45 | 14×3.8 | 2-M10 |
| 48 | 14×3.8 | 2-M10 |
| 50 | 14×3.8 | 2-M10 |
| 55 | 16×4.3 | 2-M12 |
| 60 | 18×4.4 | 2-M12 |

| 軸径 d | キー呼称の寸度 幅×高 W×h | セットスクリュー |
|-----------|-----------------------|----------|
| 6以上 8以下 | 2×2 | 2-M4 |
| 8をこえ 10 " | 3×3 | |
| 10 " 12 " | 4×4 | 2-M5 |
| 12 " 17 " | 5×5 | 2-M6 |
| 17 " 22 " | 6×6 | |
| 22 " 30 " | 8×7 | 2-M8 |
| 30 " 38 " | 10×8 | |
| 38 " 44 " | 12×8 | 2-M10 |
| 44 " 50 " | 14×9 | |
| 50 " 58 " | 16×10 | 2-M12 |
| 58 " 65 " | 18×11 | |
| 65 " 75 " | 20×12 | 2-M16 |
| 75 " 85 " | 22×14 | |



■軸穴径 H7公差表

| 径の区分 | 寸法許容差 |
|-------------|----------|
| 10をこえ 18以下 | 0~+0.018 |
| 18 " 30 " | 0~+0.021 |
| 30 " 50 " | 0~+0.025 |
| 50 " 80 " | 0~+0.030 |
| 80 " 120 " | 0~+0.035 |
| 120 " 180 " | 0~+0.040 |
| 180 " 250 " | 0~+0.046 |

**上表以外の加工付スプロケットでも、
注文後約1週間以内に納入いたします。**

(標準品を軸穴、キー溝、タップ加工した物に限る)

●材 質

標準品を使用しています。

●軸穴加工

モーター、変減速機等でよく使用される軸径を中心にして軸穴を設定し、H7公差で加工しています。

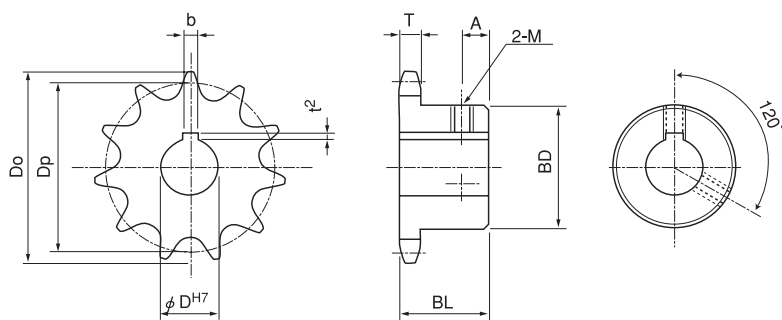
●歯先処理

歯先高周波焼入加工を施していますので、焼きむらがなく均一な強度があります。

●キー溝加工 (歯先合わせ)

新JIS規格の平行キー並級にもとづき加工しています。キー幅の許容差はJS9です。
又、全て歯先に揃えて加工しています。
並列使用は別途御相談ください。

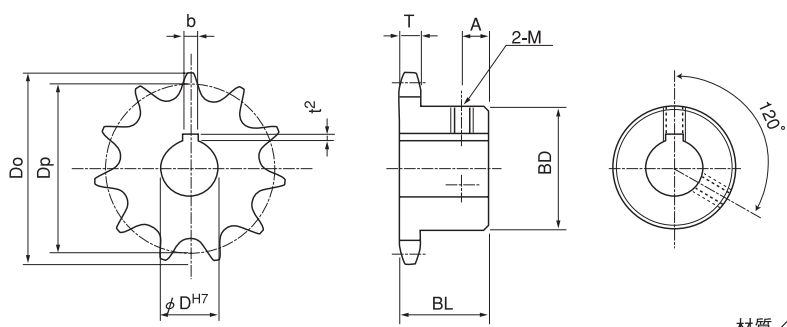
SMS25 ステンレス軸穴加工付sprocket



材質/SUS304相当

| sprocket 形番 | 外径 DO | ピッチ径 DP | ボス寸法 | | A | 10 | 12 | 15 | | | | | | | | | | | | |
|----------------|----------|------------|------|-----|----|----|----|----|--|--|--|--|--|--|--|--|--|--|--|--|
| | | | 径BD | 長BL | | | | | | | | | | | | | | | | |
| SMS25B 16 | 36 | 32.55 | 25 | 20 | 8 | ○ | | | | | | | | | | | | | | |
| SMS25B 17 | 38 | 34.56 | 25 | 20 | 8 | ○ | | | | | | | | | | | | | | |
| SMS25B 18 | 40 | 36.57 | 25 | 20 | 8 | ○ | | | | | | | | | | | | | | |
| SMS25B 19 | 42 | 38.58 | 25 | 20 | 8 | ○ | ○ | | | | | | | | | | | | | |
| SMS25B 20 | 44 | 40.59 | 25 | 20 | 8 | ○ | ○ | | | | | | | | | | | | | |
| SMS25B 21 | 46 | 42.61 | 30 | 20 | 8 | | ○ | ○ | | | | | | | | | | | | |
| SMS25B 22 | 48 | 44.62 | 30 | 20 | 8 | | ○ | ○ | | | | | | | | | | | | |
| SMS25B 23 | 50 | 46.63 | 30 | 20 | 8 | | ○ | ○ | | | | | | | | | | | | |
| SMS25B 24 | 52 | 48.65 | 30 | 20 | 8 | | ○ | ○ | | | | | | | | | | | | |
| SMS25B 25 | 54 | 50.66 | 35 | 20 | 8 | | ○ | ○ | | | | | | | | | | | | |
| SMS25B 26 | 56 | 52.68 | 40 | 20 | 8 | | ○ | ○ | | | | | | | | | | | | |
| SMS25B 27 | 58 | 54.7 | 40 | 20 | 8 | | ○ | ○ | | | | | | | | | | | | |
| SMS25B 28 | 60 | 56.71 | 40 | 20 | 8 | | ○ | ○ | | | | | | | | | | | | |
| SMS25B 30 | 64 | 60.75 | 45 | 25 | 11 | | ○ | ○ | | | | | | | | | | | | |
| SMS25B 32 | 68 | 64.78 | 50 | 25 | 11 | | ○ | ○ | | | | | | | | | | | | |
| | | | | | | | | | | | | | | | | | | | | |
| | | | | | | | | | | | | | | | | | | | | |
| | | | | | | | | | | | | | | | | | | | | |
| | | | | | | | | | | | | | | | | | | | | |
| | | | | | | | | | | | | | | | | | | | | |
| | | | | | | | | | | | | | | | | | | | | |
| | | | | | | | | | | | | | | | | | | | | |
| | | | | | | | | | | | | | | | | | | | | |
| | | | | | | | | | | | | | | | | | | | | |
| | | | | | | | | | | | | | | | | | | | | |
| | | | | | | | | | | | | | | | | | | | | |
| | | | | | | | | | | | | | | | | | | | | |
| | | | | | | | | | | | | | | | | | | | | |

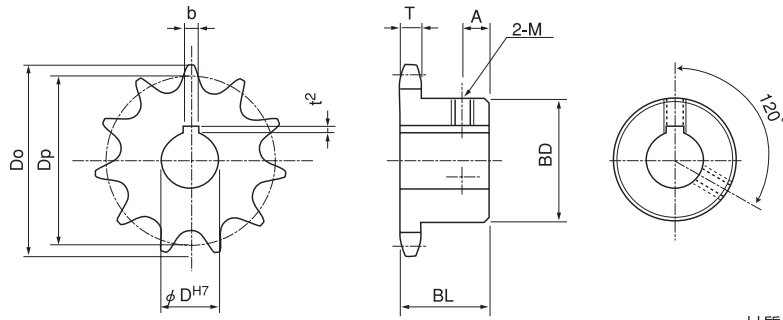
SMS35 ステンレス軸穴加工付sprocket



材質/SUS304相当

| sprocket 形番 | 外径 DO | ピッチ径 DP | ボス寸法 | | A | 10 | 12 | 15 | 16 | 18 | 20 | 22 | 25 | 30 | | | | |
|----------------|----------|------------|------|-----|---|----|----|----|----|----|----|----|----|----|--|--|--|--|
| | | | 径BD | 長BL | | | | | | | | | | | | | | |
| SMS35B 10 | 36 | 30.82 | 25 | 20 | 6 | ○ | ○ | | | | | | | | | | | |
| SMS35B 11 | 38 | 33.81 | 27 | 20 | 6 | ○ | ○ | | | | | | | | | | | |
| SMS35B 12 | 40 | 36.8 | 31 | 20 | 6 | ○ | ○ | ○ | | | | | | | | | | |
| SMS35B 13 | 44 | 39.8 | 32 | 20 | 6 | ○ | ○ | ○ | ○ | | | | | | | | | |
| SMS35B 14 | 47 | 42.80 | 30 | 20 | 7 | ○ | ○ | ○ | ○ | | | | | | | | | |
| SMS35B 15 | 50 | 45.81 | 35 | 20 | 7 | ○ | ○ | ○ | ○ | | | | | | | | | |
| SMS35B 16 | 53 | 48.82 | 37 | 20 | 7 | ○ | ○ | ○ | ○ | ○ | ○ | | | | | | | |
| SMS35B 17 | 56 | 51.84 | 41 | 20 | 7 | | ○ | ○ | ○ | ○ | ○ | | | | | | | |
| SMS35B 18 | 59 | 54.85 | 44 | 20 | 7 | | ○ | ○ | ○ | ○ | ○ | | | | | | | |
| SMS35B 19 | 62 | 57.87 | 47 | 20 | 7 | | ○ | ○ | ○ | ○ | ○ | | | | | | | |
| SMS35B 20 | 65 | 60.89 | 50 | 20 | 7 | | ○ | ○ | ○ | ○ | ○ | | | | | | | |
| SMS35B 21 | 68 | 63.91 | 53 | 20 | 7 | | ○ | ○ | ○ | ○ | ○ | | | | | | | |
| SMS35B 22 | 71 | 66.93 | 53 | 20 | 7 | | ○ | ○ | ○ | ○ | ○ | | | | | | | |
| SMS35B 23 | 75 | 69.95 | 53 | 20 | 7 | | ○ | ○ | ○ | ○ | ○ | | | | | | | |
| SMS35B 24 | 78 | 72.97 | 53 | 22 | 8 | | ○ | ○ | ○ | ○ | ○ | ○ | ○ | | | | | |
| SMS35B 25 | 81 | 76 | 53 | 22 | 8 | | | ○ | ○ | ○ | ○ | ○ | ○ | | | | | |
| SMS35B 26 | 84 | 79.02 | 53 | 22 | 8 | | | ○ | ○ | ○ | ○ | ○ | ○ | | | | | |
| SMS35B 28 | 90 | 85.07 | 53 | 22 | 8 | | | ○ | ○ | ○ | ○ | ○ | ○ | | | | | |
| SMS35B 30 | 96 | 91.12 | 53 | 22 | 8 | | | ○ | ○ | ○ | ○ | ○ | ○ | | | | | |
| SMS35B 32 | 102 | 97.18 | 53 | 22 | 8 | | | ○ | ○ | ○ | ○ | ○ | ○ | | | | | |
| SMS35B 40 | 126 | 121.4 | 63 | 25 | 8 | | | | | ○ | ○ | ○ | ○ | ○ | | | | |
| | | | | | | | | | | | | | | | | | | |
| | | | | | | | | | | | | | | | | | | |
| | | | | | | | | | | | | | | | | | | |
| | | | | | | | | | | | | | | | | | | |
| | | | | | | | | | | | | | | | | | | |
| | | | | | | | | | | | | | | | | | | |
| | | | | | | | | | | | | | | | | | | |
| | | | | | | | | | | | | | | | | | | |
| | | | | | | | | | | | | | | | | | | |
| | | | | | | | | | | | | | | | | | | |

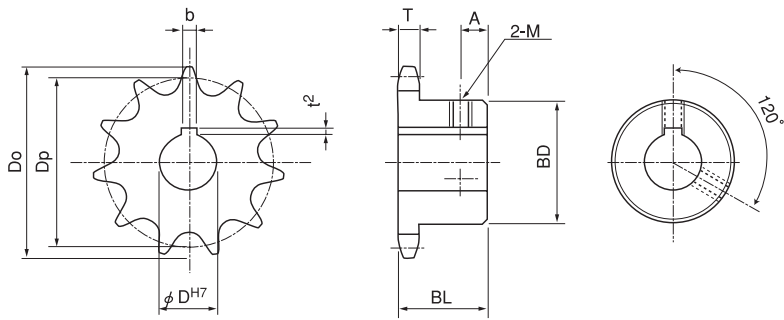
SMS40 ステンレス軸穴加工付sprocket



材質/SUS304相当

| sprocket 形番 | 外径 DO | ピッチ径 DP | ボ寸法 | | A | | | | | | | | | | | | | | | |
|----------------|----------|------------|-----|-----|----|----|----|----|----|----|----|----|----|----|----|----|----|---|---|---|
| | | | 径BD | 長BL | | 12 | 15 | 16 | 17 | 18 | 19 | 20 | 22 | 24 | 25 | 28 | 30 | | | |
| SMS40B 10 | 46 | 41.1 | 32 | 22 | 6 | ○ | ○ | ○ | | | | | | | | | | | | |
| SMS40B 11 | 50 | 45.08 | 36 | 22 | 6 | | ○ | ○ | | ○ | | ○ | | | | | | | | |
| SMS40B 12 | 55 | 49.07 | 40 | 22 | 6 | | ○ | ○ | | ○ | | ○ | | | | | | | | |
| SMS40B 13 | 59 | 53.07 | 37 | 22 | 7 | | ○ | ○ | | ○ | | ○ | | | | | | | | |
| SMS40B 14 | 63 | 57.07 | 42 | 22 | 7 | | ○ | ○ | ○ | ○ | ○ | ○ | ○ | ○ | ○ | ○ | ○ | | | |
| SMS40B 15 | 67 | 61.08 | 46 | 22 | 7 | | ○ | ○ | ○ | ○ | ○ | ○ | ○ | ○ | ○ | ○ | ○ | ○ | | |
| SMS40B 16 | 71 | 65.1 | 50 | 22 | 7 | | ○ | ○ | | ○ | ○ | ○ | ○ | ○ | ○ | ○ | ○ | ○ | ○ | ○ |
| SMS40B 17 | 75 | 69.12 | 54 | 22 | 7 | | ○ | ○ | | ○ | ○ | ○ | ○ | ○ | ○ | ○ | ○ | ○ | ○ | ○ |
| SMS40B 18 | 79 | 73.14 | 57 | 22 | 7 | | ○ | ○ | | ○ | ○ | ○ | ○ | ○ | ○ | ○ | ○ | ○ | ○ | ○ |
| SMS40B 19 | 83 | 77.16 | 62 | 22 | 7 | | ○ | ○ | | ○ | ○ | ○ | ○ | ○ | ○ | ○ | ○ | ○ | ○ | ○ |
| SMS40B 20 | 87 | 81.18 | 67 | 25 | 8 | | ○ | ○ | | ○ | ○ | ○ | ○ | ○ | ○ | ○ | ○ | ○ | ○ | ○ |
| SMS40B 21 | 91 | 85.21 | 71 | 25 | 8 | | | | | ○ | | ○ | ○ | ○ | ○ | ○ | ○ | ○ | ○ | ○ |
| SMS40B 22 | 95 | 89.24 | 75 | 25 | 8 | | | | | ○ | | ○ | ○ | ○ | ○ | ○ | ○ | ○ | ○ | ○ |
| SMS40B 23 | 99 | 93.27 | 77 | 25 | 8 | | | | | ○ | | ○ | ○ | ○ | ○ | ○ | ○ | ○ | ○ | ○ |
| SMS40B 24 | 103 | 97.3 | 63 | 25 | 8 | | | | | ○ | | ○ | ○ | ○ | ○ | ○ | ○ | ○ | ○ | ○ |
| SMS40B 25 | 108 | 101.33 | 63 | 25 | 8 | | | | | ○ | | ○ | ○ | ○ | ○ | ○ | ○ | ○ | ○ | ○ |
| SMS40B 26 | 112 | 105.36 | 63 | 25 | 8 | | | | | | | ○ | ○ | | ○ | | ○ | | ○ | ○ |
| SMS40B 28 | 120 | 113.43 | 63 | 25 | 8 | | | | | | | ○ | ○ | | ○ | | ○ | | ○ | ○ |
| SMS40B 30 | 128 | 121.5 | 63 | 25 | 8 | | | | | | | ○ | ○ | | ○ | | ○ | | ○ | ○ |
| SMS40B 32 | 136 | 129.57 | 68 | 28 | 10 | | | | | | | ○ | ○ | | ○ | | ○ | | ○ | ○ |
| SMS40B 35 | 149 | 141.68 | 68 | 28 | 10 | | | | | | | ○ | ○ | | ○ | | ○ | | ○ | ○ |
| SMS40B 36 | 153 | 145.72 | 68 | 28 | 10 | | | | | | | ○ | ○ | | ○ | | ○ | | ○ | ○ |
| SMS40B 40 | 169 | 161.87 | 68 | 28 | 10 | | | | | | | ○ | ○ | | ○ | | ○ | | ○ | ○ |
| | | | | | | | | | | | | | | | | | | | | |
| | | | | | | | | | | | | | | | | | | | | |
| | | | | | | | | | | | | | | | | | | | | |
| | | | | | | | | | | | | | | | | | | | | |
| | | | | | | | | | | | | | | | | | | | | |
| | | | | | | | | | | | | | | | | | | | | |
| | | | | | | | | | | | | | | | | | | | | |
| | | | | | | | | | | | | | | | | | | | | |
| | | | | | | | | | | | | | | | | | | | | |
| | | | | | | | | | | | | | | | | | | | | |
| | | | | | | | | | | | | | | | | | | | | |
| | | | | | | | | | | | | | | | | | | | | |

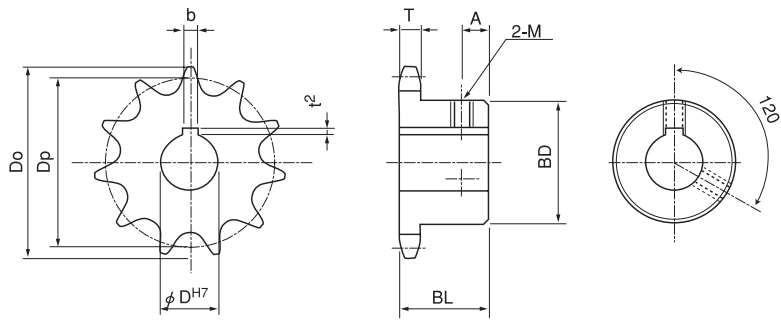
SMS50 ステンレス軸穴加工付sprocket



材質/SUS304相当

| sprocket 形番 | 外径 D0 | ピッチ径 DP | ボ寸法 | | A | 20 | 22 | 24 | 25 | 28 | 30 | 32 | 35 | 38 | 40 | | |
|----------------|----------|------------|-----|-----|---|----|----|----|----|----|----|----|----|----|----|--|--|
| | | | 径BD | 長BL | | | | | | | | | | | | | |
| SMS50B 10 | 58 | 51.37 | 40 | 25 | 6 | ○ | ○ | | | | | | | | | | |
| SMS50B 11 | 63 | 56.35 | 45 | 25 | 6 | ○ | ○ | ○ | ○ | | | | | | | | |
| SMS50B 12 | 68 | 61.34 | 50 | 25 | 6 | ○ | ○ | ○ | ○ | | | | | | | | |
| SMS50B 13 | 73 | 66.33 | 51 | 25 | 6 | ○ | ○ | ○ | ○ | | | | | | | | |
| SMS50B 14 | 79 | 71.34 | 52 | 25 | 8 | ○ | ○ | ○ | ○ | ○ | | | | | | | |
| SMS50B 15 | 84 | 76.35 | 57 | 25 | 8 | ○ | ○ | ○ | ○ | ○ | ○ | ○ | | | | | |
| SMS50B 16 | 89 | 81.37 | 62 | 25 | 8 | ○ | ○ | ○ | ○ | ○ | ○ | ○ | | ○ | | | |
| SMS50B 17 | 94 | 86.39 | 67 | 25 | 8 | ○ | ○ | ○ | ○ | ○ | ○ | ○ | | ○ | | | |
| SMS50B 18 | 99 | 91.42 | 72 | 28 | 9 | ○ | ○ | ○ | ○ | ○ | ○ | ○ | ○ | ○ | ○ | | |
| SMS50B 19 | 104 | 96.45 | 73 | 28 | 9 | ○ | ○ | ○ | ○ | ○ | ○ | ○ | ○ | ○ | ○ | | |
| SMS50B 20 | 109 | 101.48 | 73 | 28 | 9 | ○ | ○ | ○ | ○ | ○ | ○ | ○ | ○ | ○ | ○ | | |
| SMS50B 21 | 114 | 106.51 | 73 | 28 | 9 | ○ | | | ○ | | ○ | | ○ | | ○ | | |
| SMS50B 22 | 119 | 111.55 | 73 | 28 | 9 | ○ | | | ○ | | ○ | | ○ | | ○ | | |
| SMS50B 23 | 124 | 116.59 | 73 | 28 | 9 | ○ | | | ○ | | ○ | | ○ | | | | |
| SMS50B 24 | 129 | 121.62 | 73 | 28 | 9 | ○ | | | ○ | | ○ | | ○ | | | | |
| SMS50B 25 | 135 | 126.66 | 73 | 28 | 9 | ○ | | | ○ | | ○ | | ○ | | ○ | | |
| SMS50B 26 | 139 | 131.7 | 73 | 28 | 9 | ○ | | | ○ | | ○ | | ○ | | | | |
| SMS50B 28 | 149 | 141.79 | 73 | 28 | 9 | ○ | | | ○ | | ○ | | ○ | | ○ | | |
| SMS50B 30 | 160 | 151.87 | 73 | 28 | 9 | ○ | | | ○ | | ○ | | ○ | | ○ | | |
| SMS50B 32 | 170 | 161.96 | 73 | 28 | 9 | | | | ○ | | ○ | | ○ | | | | |
| SMS50B 35 | 185 | 177.1 | 73 | 28 | 9 | | | | ○ | | ○ | | ○ | | | | |
| | | | | | | | | | | | | | | | | | |
| | | | | | | | | | | | | | | | | | |
| | | | | | | | | | | | | | | | | | |
| | | | | | | | | | | | | | | | | | |
| | | | | | | | | | | | | | | | | | |
| | | | | | | | | | | | | | | | | | |
| | | | | | | | | | | | | | | | | | |
| | | | | | | | | | | | | | | | | | |
| | | | | | | | | | | | | | | | | | |
| | | | | | | | | | | | | | | | | | |
| | | | | | | | | | | | | | | | | | |
| | | | | | | | | | | | | | | | | | |

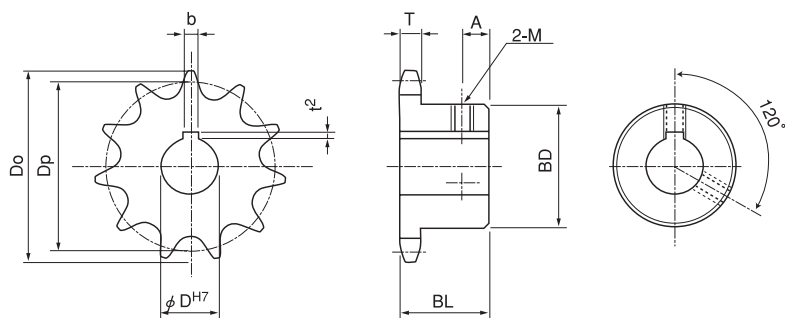
SMS60 ステンレス軸穴加工付sprocket



材質/SUS304相当

| sprocket 形番 | 外径 D _O | ピッチ径 D _P | ボス寸法 | | A | 20 | 22 | 25 | 28 | 30 | 32 | 35 | 38 | 40 | | | | | | |
|----------------|----------------------|------------------------|------|-----|----|----|----|----|----|----|----|----|----|----|--|--|--|--|--|--|
| | | | 径BD | 長BL | | | | | | | | | | | | | | | | |
| SMS60B 10 | 70 | 61.65 | 49 | 32 | 6 | ○ | ○ | ○ | | | | | | | | | | | | |
| SMS60B 11 | 76 | 67.62 | 51 | 32 | 6 | ○ | ○ | ○ | | | | | | | | | | | | |
| SMS60B 12 | 82 | 73.6 | 51 | 32 | 10 | ○ | ○ | ○ | | | | | | | | | | | | |
| SMS60B 13 | 88 | 79.6 | 57 | 32 | 10 | ○ | ○ | ○ | ○ | | | | | | | | | | | |
| SMS60B 14 | 94 | 85.61 | 62 | 32 | 10 | ○ | ○ | ○ | ○ | ○ | | | | | | | | | | |
| SMS60B 15 | 101 | 91.63 | 68 | 32 | 10 | ○ | ○ | ○ | ○ | ○ | ○ | ○ | ○ | | | | | | | |
| SMS60B 16 | 107 | 97.65 | 73 | 32 | 10 | | | ○ | ○ | ○ | ○ | ○ | ○ | | | | | | | |
| SMS60B 17 | 113 | 103.67 | 73 | 32 | 10 | | | ○ | ○ | ○ | ○ | ○ | ○ | | | | | | | |
| SMS60B 18 | 119 | 109.70 | 83 | 40 | 14 | | | ○ | ○ | ○ | ○ | ○ | ○ | ○ | | | | | | |
| SMS60B 19 | 125 | 115.74 | 83 | 40 | 14 | | | ○ | ○ | ○ | ○ | ○ | ○ | ○ | | | | | | |
| SMS60B 20 | 131 | 121.78 | 83 | 40 | 14 | | | ○ | ○ | ○ | ○ | ○ | ○ | ○ | | | | | | |
| SMS60B 21 | 137 | 127.82 | 83 | 40 | 14 | | | | | ○ | | ○ | | ○ | | | | | | |
| SMS60B 22 | 143 | 133.86 | 83 | 40 | 14 | | | | | ○ | | ○ | | ○ | | | | | | |
| SMS60B 23 | 149 | 139.9 | 83 | 40 | 14 | | | | | ○ | | ○ | | ○ | | | | | | |
| SMS60B 24 | 155 | 145.95 | 83 | 40 | 14 | | | | | ○ | | ○ | | ○ | | | | | | |
| SMS60B 25 | 162 | 151.99 | 83 | 40 | 14 | | | | | ○ | | ○ | | ○ | | | | | | |
| SMS60B 30 | 193 | 182.25 | 83 | 40 | 14 | | | | | ○ | | ○ | | ○ | | | | | | |
| | | | | | | | | | | | | | | | | | | | | |
| | | | | | | | | | | | | | | | | | | | | |
| | | | | | | | | | | | | | | | | | | | | |
| | | | | | | | | | | | | | | | | | | | | |
| | | | | | | | | | | | | | | | | | | | | |
| | | | | | | | | | | | | | | | | | | | | |
| | | | | | | | | | | | | | | | | | | | | |
| | | | | | | | | | | | | | | | | | | | | |
| | | | | | | | | | | | | | | | | | | | | |
| | | | | | | | | | | | | | | | | | | | | |
| | | | | | | | | | | | | | | | | | | | | |

SMS80 ステンレス軸穴加工付sprocket



材質/SUS304相当

| sprocket 形番 | 外径 DO | ピッチ径 DP | ボス寸法 | | A | 25 | 30 | 35 | 40 | | | | | | | | | | | | | | | | | | | | |
|----------------|----------|------------|------|-----|----|----|----|----|----|--|--|--|--|--|--|--|--|--|--|--|--|--|--|--|--|--|--|--|--|
| | | | 径BD | 長BL | | | | | | | | | | | | | | | | | | | | | | | | | |
| SMS80B 10 | 93 | 82.20 | 52 | 40 | 12 | ○ | ○ | | | | | | | | | | | | | | | | | | | | | | |
| SMS80B 11 | 101 | 90.16 | 60 | 40 | 12 | ○ | ○ | | | | | | | | | | | | | | | | | | | | | | |
| SMS80B 12 | 110 | 98.14 | 67 | 40 | 12 | ○ | ○ | | | | | | | | | | | | | | | | | | | | | | |
| SMS80B 13 | 118 | 106.14 | 77 | 40 | 12 | ○ | ○ | | | | | | | | | | | | | | | | | | | | | | |
| SMS80B 14 | 126 | 114.15 | 77 | 40 | 12 | ○ | ○ | | | | | | | | | | | | | | | | | | | | | | |
| SMS80B 15 | 134 | 122.17 | 93 | 40 | 12 | ○ | ○ | | | | | | | | | | | | | | | | | | | | | | |
| SMS80B 16 | 142 | 130.2 | 93 | 40 | 12 | | ○ | ○ | | | | | | | | | | | | | | | | | | | | | |
| SMS80B 20 | 175 | 162.37 | 93 | 40 | 12 | | | ○ | ○ | | | | | | | | | | | | | | | | | | | | |
| | | | | | | | | | | | | | | | | | | | | | | | | | | | | | |
| | | | | | | | | | | | | | | | | | | | | | | | | | | | | | |
| | | | | | | | | | | | | | | | | | | | | | | | | | | | | | |
| | | | | | | | | | | | | | | | | | | | | | | | | | | | | | |
| | | | | | | | | | | | | | | | | | | | | | | | | | | | | | |
| | | | | | | | | | | | | | | | | | | | | | | | | | | | | | |
| | | | | | | | | | | | | | | | | | | | | | | | | | | | | | |
| | | | | | | | | | | | | | | | | | | | | | | | | | | | | | |
| | | | | | | | | | | | | | | | | | | | | | | | | | | | | | |
| | | | | | | | | | | | | | | | | | | | | | | | | | | | | | |
| | | | | | | | | | | | | | | | | | | | | | | | | | | | | | |
| | | | | | | | | | | | | | | | | | | | | | | | | | | | | | |
| | | | | | | | | | | | | | | | | | | | | | | | | | | | | | |
| | | | | | | | | | | | | | | | | | | | | | | | | | | | | | |
| | | | | | | | | | | | | | | | | | | | | | | | | | | | | | |
| | | | | | | | | | | | | | | | | | | | | | | | | | | | | | |